

 **KaleKalip**



Diaphragm Gas Meter
SI-G1,6 / SI-G2,5 / SI-G4

long life

high quality

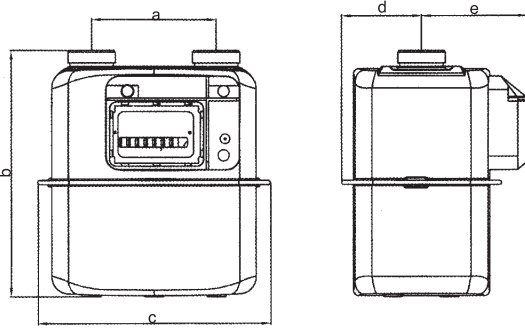
accurate measurement



 **KaleKalip**

Diaphragm Gas Meter SI-G1,6 / SI-G2,5 / SI-G4

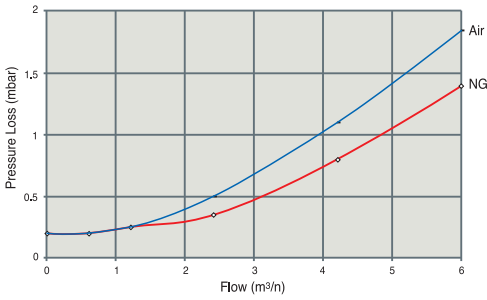
www.kalekalip.com.tr



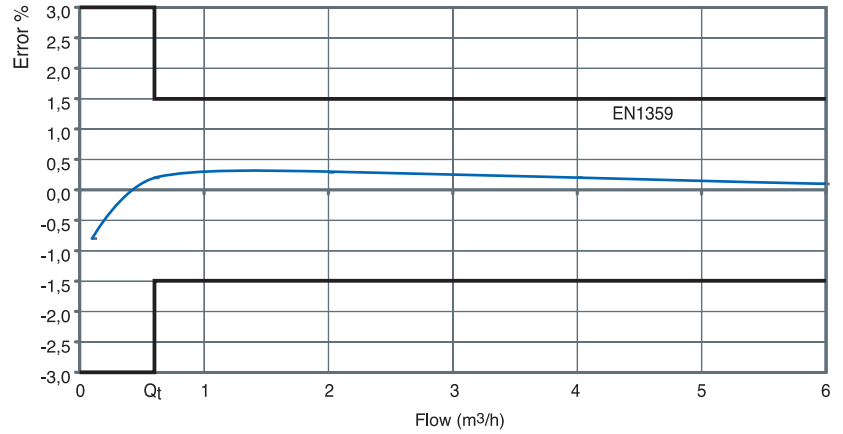
TYPE	CYCLING VOLUME dm ³	MEASURING RANGE m ³ / h	THREAD SIZE*	COUPLING* DN	DIMENSIONS (mm)					WEIGHT kg
					a	b	c	d	e	
SI-G1,6	1,2	0,016-2,5	1 1/4"	32	110	217	204	70	85	2
SI-G2,5	1,2	0,025-4,0	1 1/4"	32	110	217	204	70	85	2
SI-G4	1,2	0,040-6,0	1 1/4"	32	110	217	204	70	85	2

*Fitting diameters and thread sizes can be produced according to request.

Pressure Loss



ERROR CURVE



CHARACTERISTICS

- 0.016 m³/h - 6m³/h measurement range
- Suitable for Natural Gas and LPG
- Operation pressure max. 0.5 bar
- Leak test pressure 0,75 bar
- TS 5910 EN 1359
- MID Type approval (2004/22/EC)
- 71/318 AT Type approval
- Index with pulse output 1 imp= 0.01 m³
- Synthetic diaphragm
- Magnetic transmission
- 0,8 mm galvanized meter covers
- Operating temperature -25°C / +55°C
- Storage temperature -30°C / +60°C
- White [Ral 9016]
- Electrostatic powder paint
- Special locking mechanism of studs against high torsional and bending moments
- Special cover to protect moving parts and slides from piping and installation contamination
- Maintenance free



MID (2004/22/AT) TS 5910 EN1359 EN ISO 9001:2008